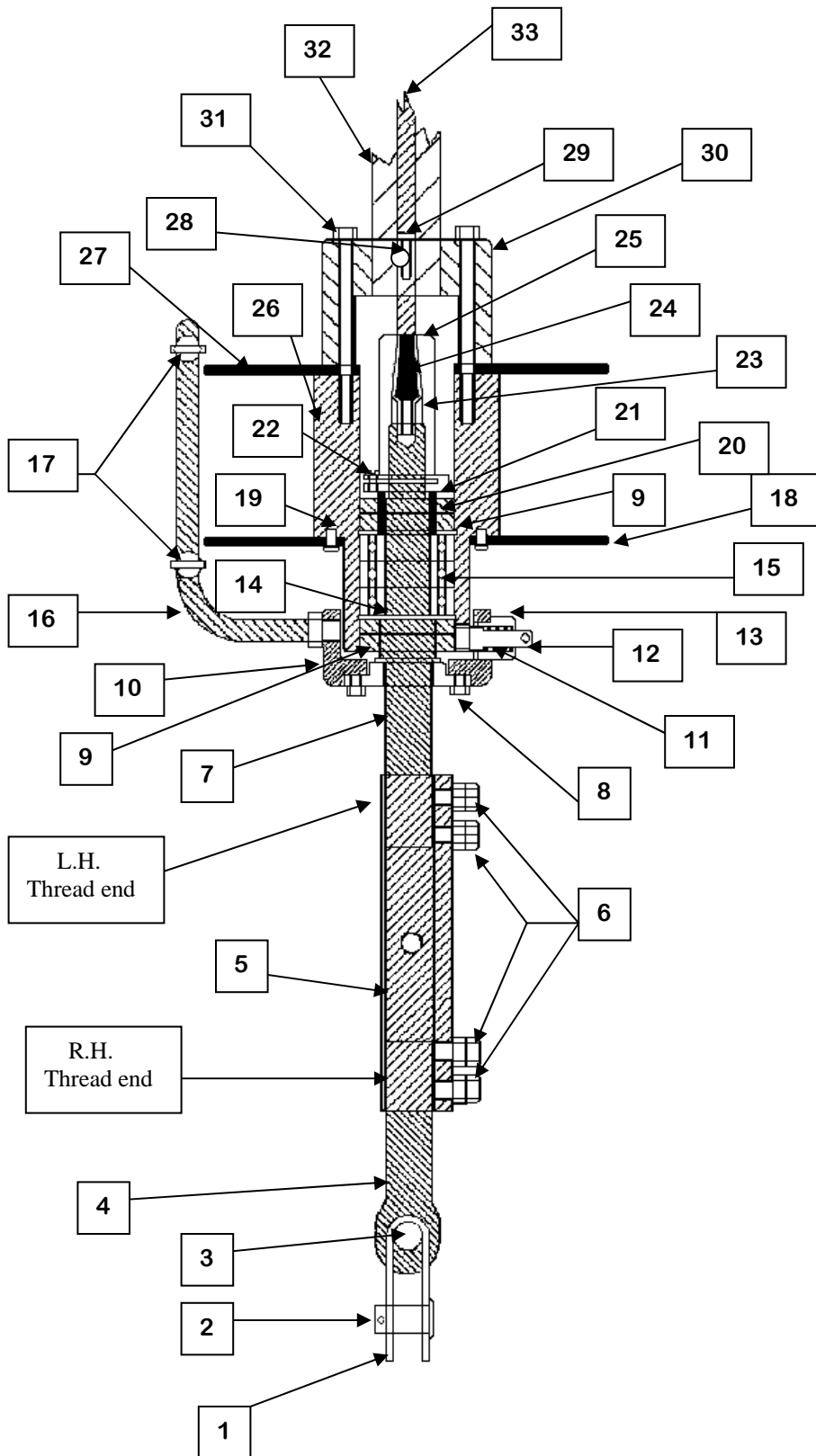


Reef Rite Furling System Parts List

To order parts, contact Desktop Wings Inc.:
215-453-9312; reefrite@desktopwings.com

When ordering Reef Rite parts, prefix Item Number with your model number. **6-40; 8-60; 9-70; 9-70S; 12-90**



Item #	Qty	Description
1	1	Bottom Toggle
2	1	Bottom Toggle Clevis Pin
3	1	Bottom Stud Cross Pin
4	1	Bottom Stud
5	1	Turnbuckle Barrel
6	4	Turnbuckle Lock Screw and Nut
7	1	Main Spindle
8	4	Cage Locking Screw
9	4	Bearing Seal (2 Top, 2 Bottom)
10	1	Lower Body
11	1	Pawl Spring
12	1	Pawl
13	1	Pawl Housing
14	1	Circlip
15	3	Main Ball Bearing
16	4	Cage Bars
17	2	Line Guide Bar
18	1	Bottom Flange
19	4	Bottom Flange Screw
20	1	Seal Spacer
21	1	Locknut
22	1	Locknut Screw
23	1	Rylock Button
24	1	Rylock Ferrule
25	1	Rylock Body
26	1	Drum
27	1	Top Flange
28	1	Cross Pin
29	2	Cross Pin Locking Screw
30	1	Top Cover
31	4	Top Cover Screw
32		Foil Extrusion (qty. varies)
33	1	Forestay Cable (length varies)
34	1	Halyard Car (not shown)
35		Extrusion Connector and Rivets (not shown, qty. varies)